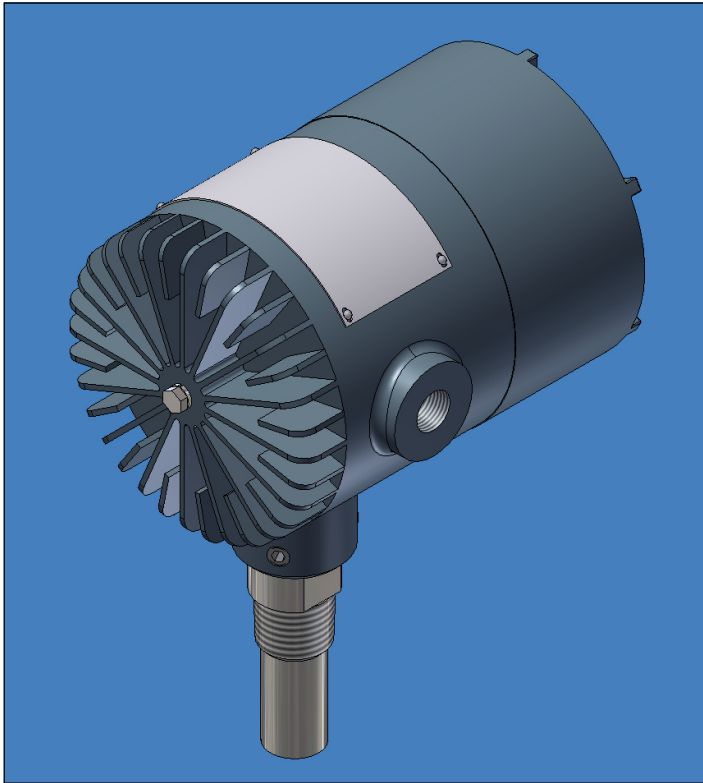


# CANTY

## PROCESS TECHNOLOGY

### HYL 80 EXTERNAL DECK DECOMPRESSION CHAMBER LIGHTING



#### HOW IT WORKS

The HYL 80 External Deck Decompression Chamber Lighting System is the safest, most efficient chamber lighting system available. Each system consists of a high output, 80W halogen light source and a 316L SS, 1" NPT male chamber coupling. The patented system provides bright white, uniform illumination into a pressurized, outside deck chamber. The color temperature and illumination levels of a Canty Light have been the industry standard for over 40 years.

The Canty Light features a high output halogen bulb. An infra-red filter is standard equipment on every light to eliminate all heat from the light, providing only cool, effective light into the chamber. The light source is provided in an anodized aluminum enclosure suitable for NEMA Type 4 / IP66 locations. Optional explosion proof and flameproof ratings are also available.

The Canty Light Pipe chamber coupling provides a high pressure, sealed connection to the chamber. The Light Pipe fiber-optically transmits the light from the light source thru the pressure boundary, dispersing the light inside the chamber in an ideal illumination pattern.

#### APPLICATIONS

- Deck Mounted Diving Decompression Chambers
- Diving Research Facilities

#### FEATURES

- Safest chamber lighting system on the market
- Efficient 80W Halogen Lamp. We put more light into the chamber than any other light!
- NEMA Type 4 / IP66
- Ideal Illumination for Human Occupancy
- High Pressure 1200 PSI Rating
- Infra-Red Filter Eliminates All Heat From Light
- Dual Thermal Switches
- 1" NPT, 316L SS Chamber Coupling
- Easy To Install
- All Wiring and Maintenance Is External
- Ideal Light Beam Dispersion Into Chamber
- Optional Worldwide Ratings Available
  - FM Approval
  - CSA Approval
  - ATEX

#### SPECIFICATIONS

- 120V, 50/60 Hz or 230V, 50/60Hz Models
- 1200 PSI Pressure Ratings at 120°F [49°C]
- NEMA Type 4 / IP66 Rating Standard
- 3400°K Color Temperature
- 1" NPT Mounting Connection - Suitable For Half And Full Couplings
- Optional FM, CSA Approved Class I, Div. 1, Groups B,C & D, Class II, Div. 1, Groups E, F & G Models Available
- Optional ATEX Eex d IIC T6 Models Available
- Approximate Weight: 10 lbs [4.5kg]

#### OPTIONAL APPROVALS



**CANTY**

JM Canty Inc  
JM Canty Intl Ltd

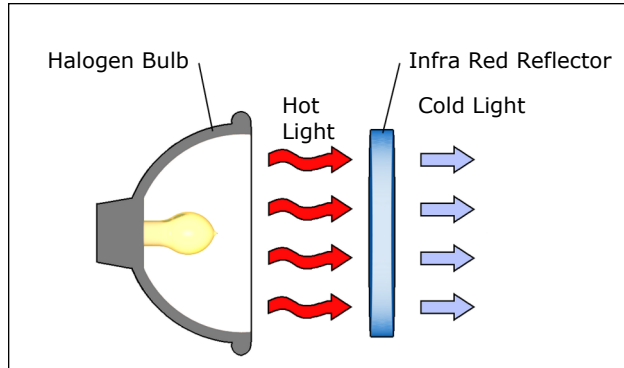
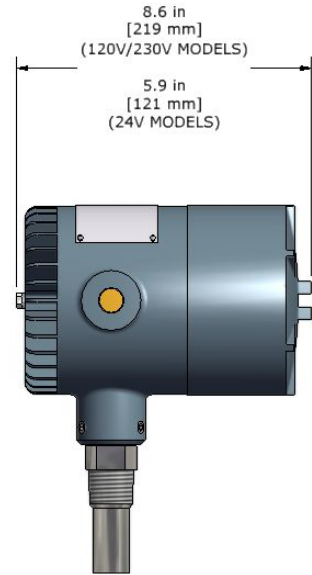
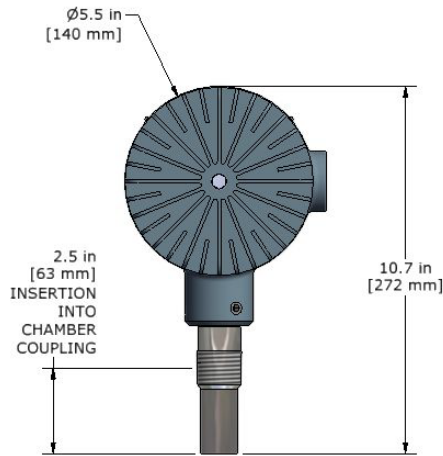
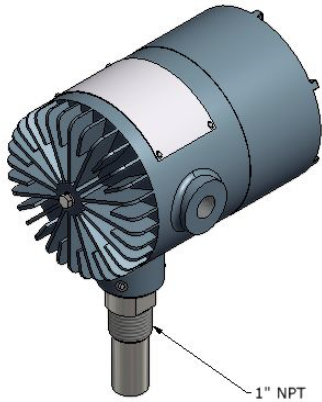
Buffalo, NY USA  
Dublin, Ireland

Ph: (716) 625 4227  
Ph: +353 (01) 882 9621

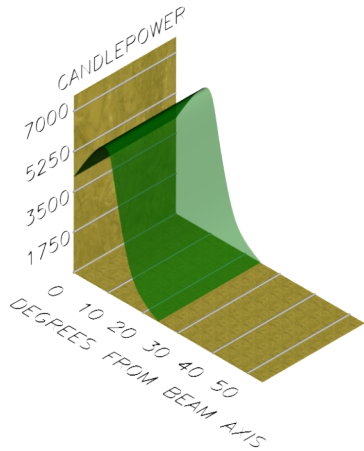
Fax: (716) 625 4228  
Fax: +353 (01) 882 9622

[www.jmcanty.com](http://www.jmcanty.com)

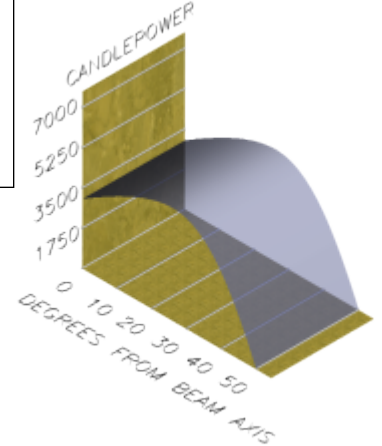
## Dimensional Information



Normal Beam Light Output



Wide Beam Light Output



## Ordering Information

HOW TO ORDER: Select the appropriate symbols and build a part number as shown:

**EXAMPLE:**

**HYL80 - 3 6 A W A B A**

LIGHT SOURCE RATING	
A -	NEMA 4 WP
B -	IP66
C -	Explosion Proof
D -	Flame Proof

LIGHT SOURCE INPUT VOLTAGE	
A -	120V AC Input. Integral Transformer
B -	230V AC Input. Integral Transformer
C -	24V AC Input with 120V to 24V Transformer*
D -	24V AC Input with 230V to 24V Transformer*

Chamber Coupling Material	
B -	Brass (Standard)
S -	316L Stainless Steel

**CANTY** JM Canty Inc  
JM Canty Intl Ltd

Buffalo, NY USA  
Dublin, Ireland

Ph: (716) 625 4227  
Ph: +353 (01) 882 9621

Fax: (716) 625 4228  
Fax: +353 (01) 882 9622

[www.jmcanty.com](http://www.jmcanty.com)

\* Canty provides a NEMA unrated / IP00 step down transformer for 24V AC input models. Transformer should be mounted in a suitable location with customer supplied switch. Reference transformer spec. sheet C10822 (120V models), C10934 (230V).

Document P/N: TA11214-1 REV. 1